

**Key skills application of number  
Adult numeracy  
Level 2**

**Practice Test Paper H**

**YOU NEED**

- This test paper
- An answer sheet

You may NOT use a calculator

You may use a bilingual dictionary

---

**Do NOT open this paper until you are told to do so by the supervisor**

**There are 40 questions in this test**

**Total marks available: 40**

**Try to answer ALL the questions**

**YOU HAVE 1 HOUR AND 15 MINUTES TO FINISH THE TEST**

---

**INSTRUCTIONS**

- Make sure your personal details are entered correctly on the answer sheet
- Read each question carefully
- Follow the instructions on how to complete the answer sheet
- At the end of the test hand in the question paper, your answer sheet and all notes to the supervisor

**REMEMBER: YOU HAVE 1 HOUR AND 15 MINUTES TO FINISH THE TEST**

---

Note for learners and tutors. This is a practice test that has been put together using questions similar to those that you would find in a "live" Key skills application of number or Adult numeracy test. The layout of the test is also the same as that used for a live test.

1. The table shows the number of tickets and programmes sold for a garden show.

Number of show tickets and programmes sold			
	Friday	Saturday	Total
Tickets	160	206	366
Programmes	86	70	156

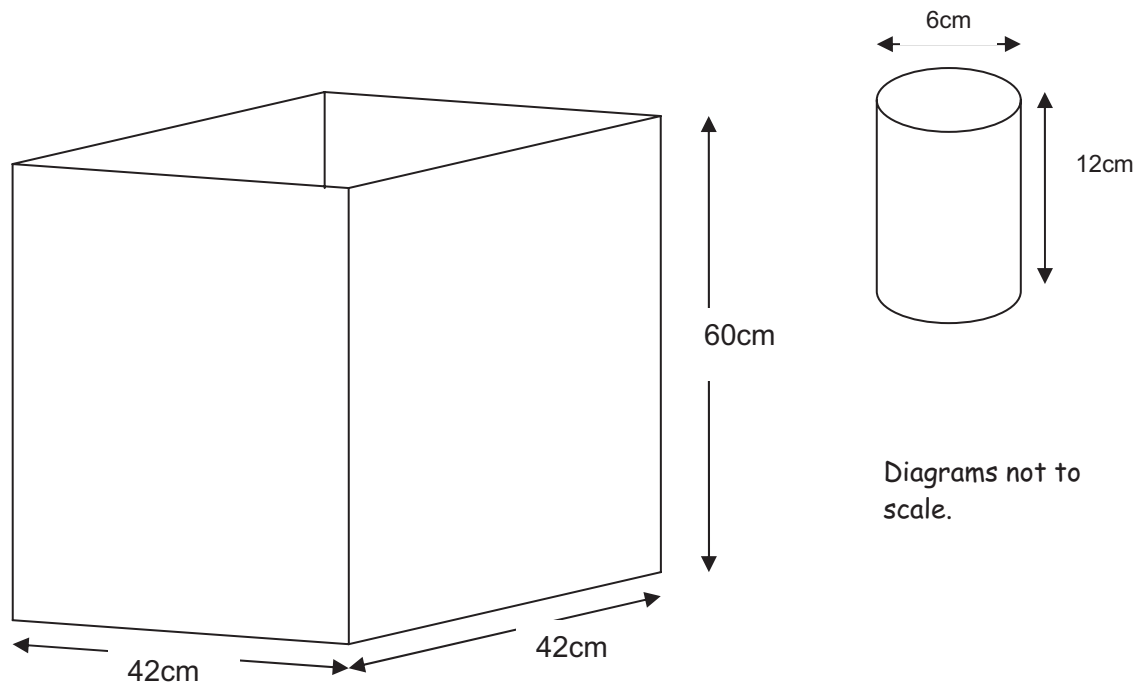
Tickets for the show cost £3 each and programmes cost £1.50 each.

How much do the organisers take for tickets and programmes for Saturday's show?

- A £609
- B £688
- C £723
- D £1332

2. Workers at a pet food factory pack tins of cat food into cases. The tins are 6 centimetres in diameter and 12 centimetres high.

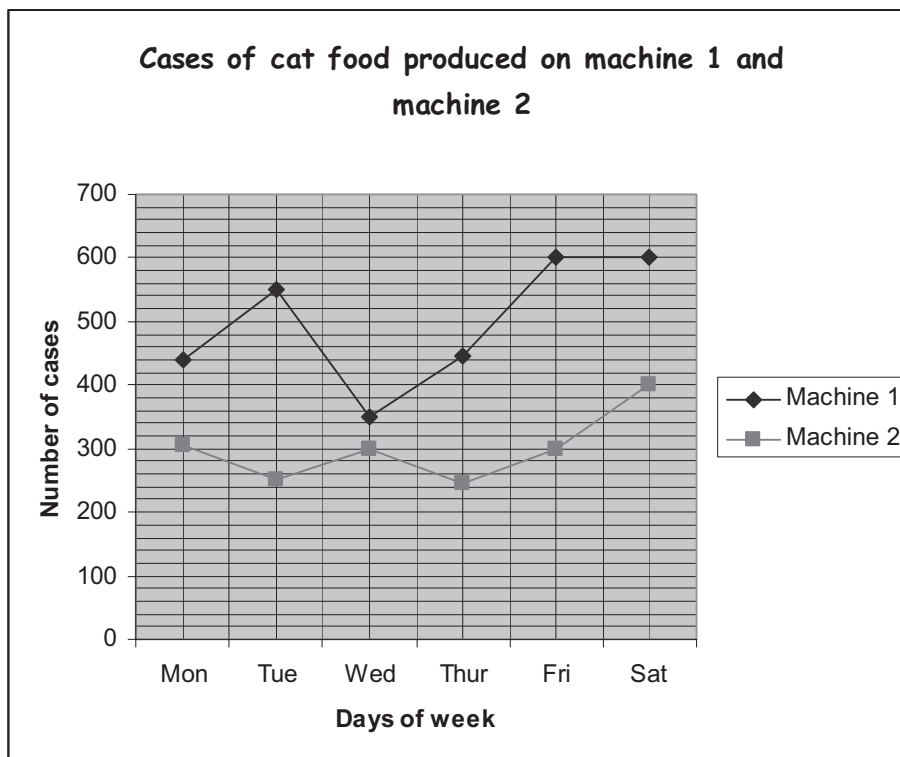
The diagram shows a tin and the case that the tins are packed into.



What is the maximum number of tins that fit in the case?

- A 180
- B 245
- C 252
- D 294

3. The graph shows the number of cases of cat food produced on two machines in one week.



What was the total number of cases of cat food produced on Tuesday, to the nearest 50?

- A 550
- B 750
- C 800
- D 850

4. The table shows the hours a factory packer works one week.

Day	Monday	Tuesday	Wednesday	Thursday	Friday
Hours worked	8	8	7	7	6

The packer is paid £7 an hour and £4 a day bonus.

Which calculation gives her total pay (including bonuses) for the week?

- A  $(5 \times £7) + (5 \times £4)$
- B  $(36 \times £7) + (5 \times £4)$
- C  $(£7 + £4) \times 36$
- D  $(36 \times £7) + £4$

5. The temperature in a factory is  $16^{\circ}\text{C}$ .

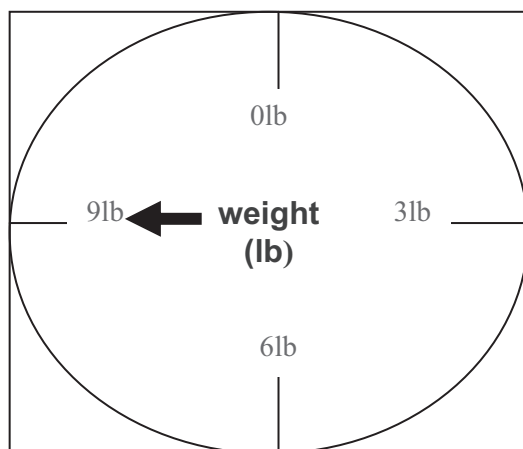
The temperature in the cold storage room is  $-20^{\circ}\text{C}$ .

What is the temperature difference between the factory and the cold storage room?

- A  $-0.8^{\circ}\text{C}$
- B  $4^{\circ}\text{C}$
- C  $18^{\circ}\text{C}$
- D  $36^{\circ}\text{C}$

6. A woman wants to cook a fresh turkey.

First, she weighs it (see diagram), then she uses the formula:



**Cooking time 15 minutes per pound (lb), plus an additional 25 minutes.**

What is the cooking time for the turkey, to the nearest quarter of an hour?

- A 2 hours
- B  $2\frac{1}{4}$  hours
- C  $2\frac{1}{2}$  hours
- D  $2\frac{3}{4}$  hours

7. A woman cooks small sausages.

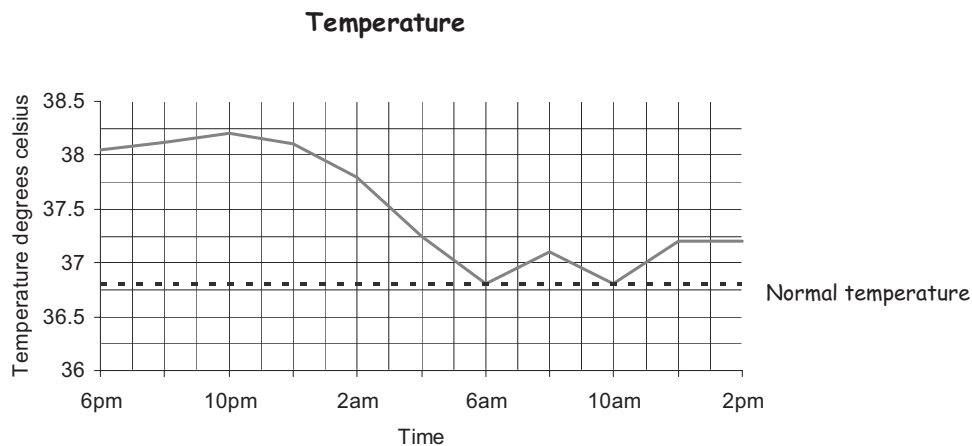
There are 100 calories in an ounce of sausages.

1 ounce = 30 grams

How many calories are there in 200 grams of the sausages?

- A about 200 calories
- B about 230 calories
- C about 600 calories
- D about 670 calories

8. The chart shows the temperature of a child admitted to hospital.



What was the child's temperature at 2am?

- A 37.1°C
- B 37.2°C
- C 37.6°C
- D 37.8°C

9. How long after the child was admitted at 6pm did it take for her temperature to first reach normal temperature?

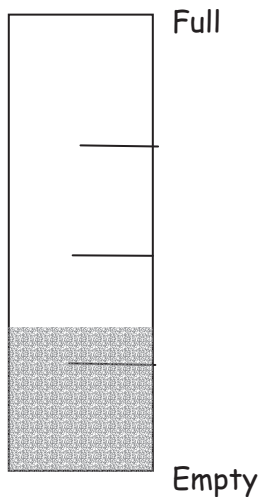
- A 6 hours
- B 12 hours
- C 14 hours
- D 20 hours

10. What is the approximate range of the child's temperature in the time shown on the chart?

- A 0.05°C
- B 1.40°C
- C 1.55°C
- D 2.55°C

11. In a car wash the liquid soap is held in a tank.

The diagram shows the gauge on the soap tank. The tank holds 60 litres of soap when full.



Which is the best estimate of the amount of soap left in the tank?

- A 12 litres
- B 15 litres
- C 20 litres
- D 27 litres

12. A council recycled 160 tonnes of plastic in 2000.

The council aims to increase this amount by 80% by 2010.

How much plastic does the council aim to recycle by 2010?

- A 128 tonnes
- B 240 tonnes
- C 256 tonnes
- D 288 tonnes

13. This is the timetable for buses to and from Nottingham East Midlands airport.

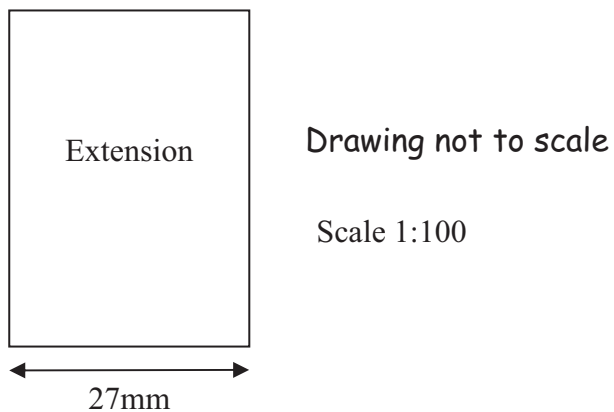
**Journey time 45 mins approx**

From Nottingham			
	First Bus		Last Bus
Friar Lane, Market Square	0405	every <b>30</b> mins	2205
Nottingham Station	0410		2210
Clifton, Fabis Drive	0419		2219
From Nottingham East Midlands Airport			
	First Bus		Last Bus
Airport Arrivals	0405	every <b>30</b> mins	2305
Cargo West, DHL	0410		2310
Pegasus Business Park	0417		2317

How many buses leave Nottingham Station between 9:30am and 12 noon?

- A 2
- B 3
- C 5
- D 6

14. The plan shows the scale plan of a house extension.



What is the approximate planned width of the **actual** extension?

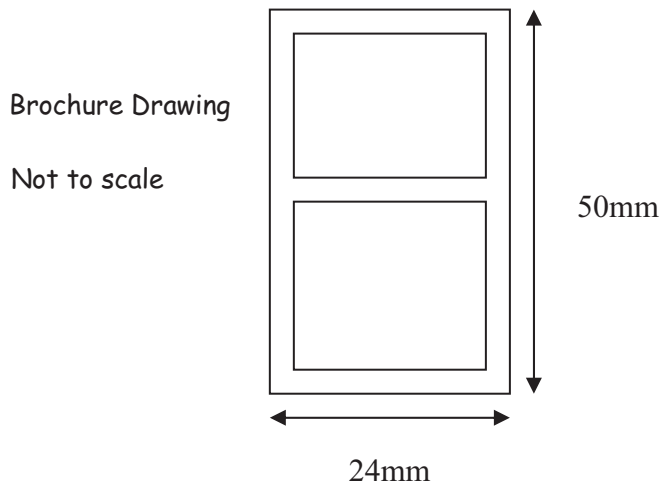
- A 27mm
- B 270mm
- C 2700mm
- D 27000mm

15. A builder makes a concrete mix for an extension. He uses 3 litres of water with every 25 kilograms of dry concrete materials.

To the nearest litre, how much water does the builder add to 160 kilograms of dry concrete materials.

- A 18 litres
- B 19 litres
- C 21 litres
- D 25 litres

16. The diagram shows a scale drawing of one of the windows in a brochure.  
The window is 2.50m high and 1.25m wide.  
In the brochure, the window measures 50mm by 24mm.



What is the approximate scale of the drawing?

- A 1:10
- B 1:25
- C 1:50
- D 1:100

17. The table shows the highest and lowest recorded temperatures in some European countries.

Country	Lowest recorded temperature (°C)	Highest recorded temperature (°C)
France	-33	44
Germany	-46	41
Greece	-24	48
Ireland	-19	33
Italy	-38	46
Spain	-30	50
United Kingdom	-27	38

What is the range of the highest recorded temperatures?

- A 6°C
  - B 17°C
  - C 33°C
  - D 50°C
18. The table shows the highest and lowest recorded temperatures in some European countries.

Country	Lowest recorded temperature (°C)	Highest recorded temperature (°C)
France	-33	44
Germany	-46	41
Greece	-24	48
Ireland	-19	33
Italy	-38	46
Spain	-30	50
United Kingdom	-27	38

What is the median of the lowest recorded temperatures?

- A -46°C
- B -31°C
- C -30°C
- D -19°C

This information is from a holiday brochure.

Holiday prices		(£s per person)				
Hotel	Tropicana		Palm		Festival	
Number of days	7	10	7	14	7	14
Day of departure	Thurs	Sun	Fri	Sat	Wed	Mon
30 May – 15 Jun	380	490	429	675	450	710
16 Jun – 29 Jun	390	500	439	685	460	720
30 Jun – 11 Jul	400	510	449	695	470	730
12 Jul – 1 Aug	420	540	459	705	480	740
2 Aug – 15 Aug	440	560	480	720	500	760
16 Aug – 28 Aug	470	590	500	740	530	780
29 Aug – 11 Sep	450	560	450	700	460	740
12 Sep – 31 Sep	420	530	420	670	440	720

	July Calendar				
Sun	--	5	12	19	26
Mon	--	6	13	20	27
Tues	--	7	14	21	28
Wed	1	8	15	22	29
Thurs	2	9	16	23	30
Fri	3	10	17	24	31
Sat	4	11	18	25	--

19. What is the earliest date a holidaymaker can depart for a 7-day holiday to the Palm hotel in July?

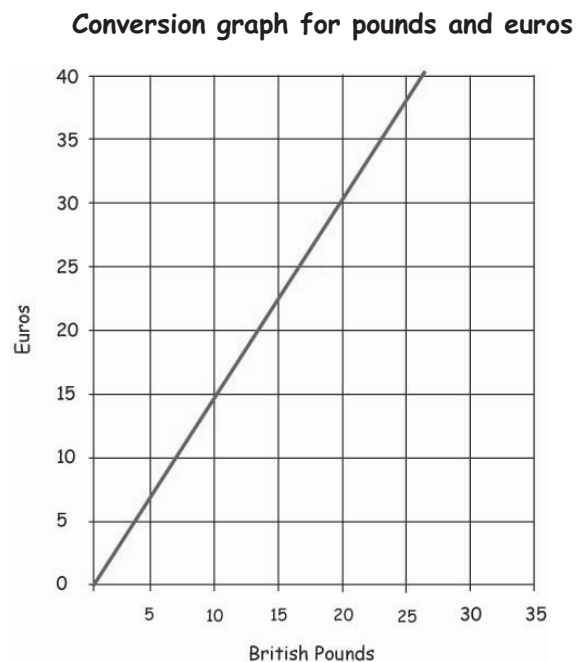
- A 1<sup>st</sup> July
- B 2<sup>nd</sup> July
- C 3<sup>rd</sup> July
- D 4<sup>th</sup> July

20. A man and a woman want to take a week's holiday to the Palm hotel during the summer.

How much will they save in total by picking the cheapest time to go rather than the most expensive time?

- A £80
- B £100
- C £140
- D £160

21. A holidaymaker looks at this graph to compare pounds and euros.



Approximately, how many euros are equivalent to £15?

- A 10.20 euros
- B 10.50 euros
- C 21.00 euros
- D 22.50 euros

22. The distance between Venice and Udine is 84 miles.

1 mile is equivalent to 1.6 kilometres

The distance from Venice and Udine to the nearest kilometre is

- A 58.8km
- B 77km
- C 134km
- D 144km

23. On a map the distance from Venice to Verona measures 5.8cm.  
The scale of the map is 1cm : 20km.

What is the actual distance from Venice to Verona?

- A 100.16km
- B 101.6km
- C 110.6km
- D 116km

24. The distance by road between two towns is 301 miles.  
A family takes 7 hours to drive from one town to the other.

Using this formula:  $\frac{\text{Total Distance}}{\text{Total Time}}$

What was the average speed for the journey?

- A 40 mph
- B 38 mph
- C 43 mph
- D 308 mph

25. To change a temperature from Celsius ( $^{\circ}\text{C}$ ) to Fahrenheit ( $^{\circ}\text{F}$ ) you can use this method:

**Multiply the degrees Celsius by 2 and write it in the box**

**Find  $\frac{1}{10}$  of the number in the box and then take it off the number in the box**

**Add on 32**

The temperature one day was  $23.5^{\circ}\text{C}$ .

What was the temperature in Fahrenheit, to the nearest degree?

- A  $69^{\circ}\text{C}$
- B  $74^{\circ}\text{C}$
- C  $75^{\circ}\text{C}$
- D  $78^{\circ}\text{C}$

26. A hair salon has 1294 regular clients.  
432 of these clients are male.

Which of these is the closest estimate of the ratio of females to males?

- A 2 : 1
- B 3 : 1
- C 9 : 4
- D 13 : 4

27. A hair salon had 1175 clients one month.  
295 of these had their hair coloured.

Approximately, what percentage of the customers had their hair coloured?

- A 25%
- B 30%
- C 33%
- D 300%

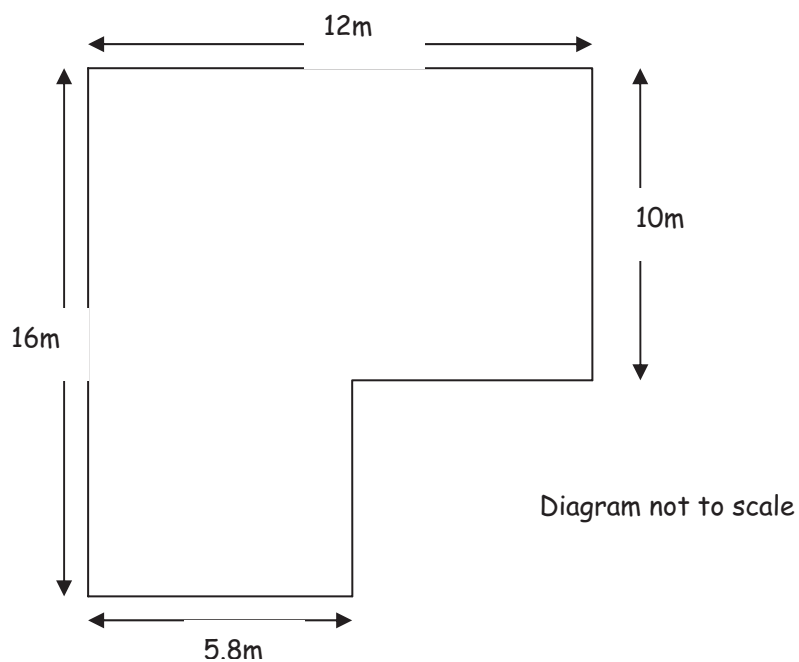
28. Five hair stylists receive the following amounts of pay one week.

Stylist	Kai	Kelly	Sam	Chris	Rob
Pay	£178	£164	£158	£122	£178

What is the median of these amounts?

- A £158
- B £160
- C £164
- D £178

29. The plan shows the floor of the part of a hair salon.



What is its area, to the nearest square metre?

- A  $56\text{m}^2$
- B  $150\text{m}^2$
- C  $154\text{m}^2$
- D  $155\text{m}^2$

30. An electricity bill is made up of a fixed charge of £14.30 plus 7.4 pence for every unit used.

Which of these is a correct method of calculating the total bill in pounds for 742 units?

A  $\frac{7.4 \times 742}{100} + 14.30$

B  $7.4 \times 742 + 14.30$

C  $\frac{7.4 \times 100}{100} + 14.30$

D  $(14.30 + 7.4) \times 742$

31. The table shows the number of visitors to a large Stately Home each year over a 10-year period.

Year	Number of visitors (millions)
1995	1.16
1996	1.32
1997	1.52
1998	1.60
1999	1.85
2000	1.45
2001	1.70
2002	1.94
2003	2.03
2004	2.06

Which calculation works out the percentage increase in the number of visitors between the year 1995 and the year 2004?

A  $\frac{1.16}{2.06} \times 100$

B  $\frac{2.06}{1.16} \times 100$

C  $\frac{(2.06 - 1.16)}{1.16} \times 100$

D  $\frac{(2.06 - 1.16)}{2.06} \times 100$

32. This table shows the profits from 3 sites of a company over a 5-year period.

Year	1999	2000	2001	2002	2003
Profit at Manchester (£)	2 650	3 450	4 400	5 620	6 850
Profit at Edinburgh (£)	-5 200	-3 600	3 010	7 500	9 700
Profit at Birmingham (£)	1 800	2 110	2 250	2 860	3 670

In which year did the Edinburgh site first become more profitable than the Manchester site?

- A 1999
- B 2001
- C 2002
- D 2003

33. The Manchester site of a company has 488 employees. 161 of these employees are trainees.

Approximately what fraction of the employees are trainees?

- A  $\frac{1}{6}$
- B  $\frac{1}{5}$
- C  $\frac{1}{4}$
- D  $\frac{1}{3}$

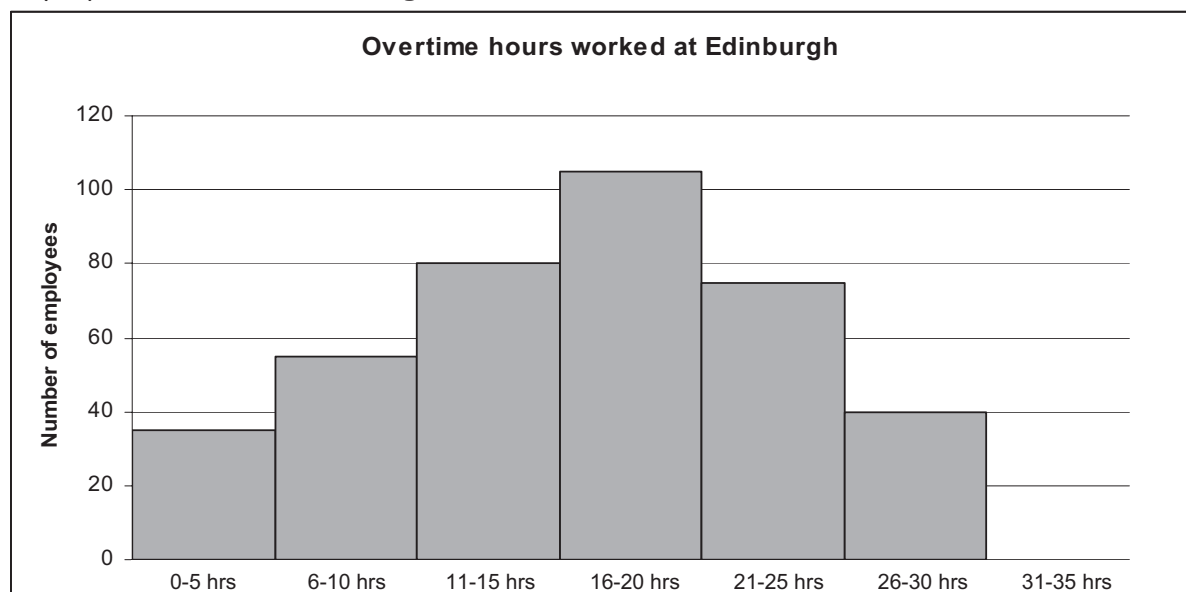
34. The table shows information about the weekly pay of the employees at the Manchester site of a company.

Weekly pay of Manchester employees	
Pay	Number of employees
Less than £200	180
£200 - £399	210
£400 - £599	52
£600 or more	46

Approximately what percentage are paid £400 or more?

- A 25%
- B 20%
- C 10%
- D 5%

35. The chart shows the distribution of overtime hours worked by the employees at their Edinburgh site in one month.

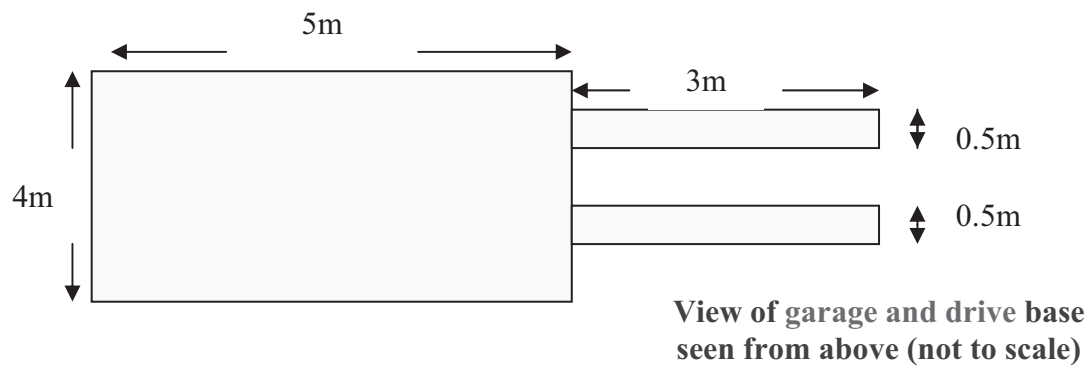


How many of the employees worked between 16 and 25 hours of overtime?

- A 75
- B 105
- C 180
- D 220

36. A builder charges £15 per square metre for laying concrete.

How much does the builder charge for laying this garage and drive base?



- A £23
- B £230
- C £345
- D £460

37. These are the instructions for making concrete:

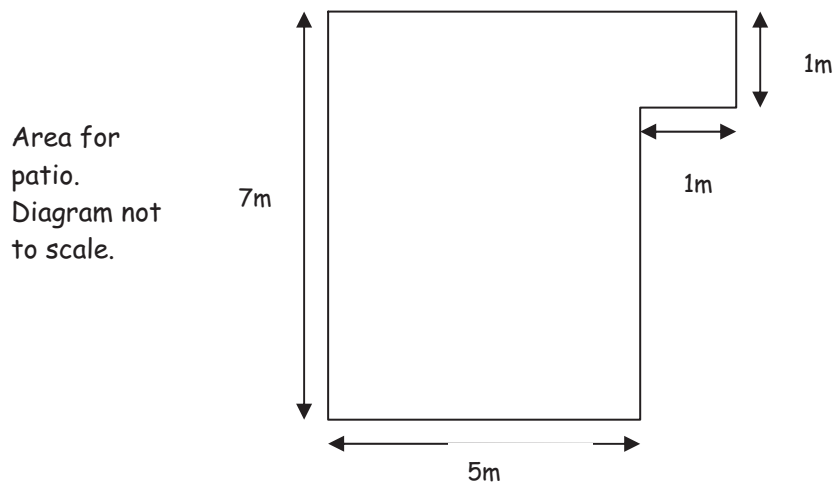
**Mix aggregate and cement in the ratio of 9 : 2**

A builder uses an electric mixer, which has a capacity of 44 shovels.

How many shovels of cement does he need to fill the mixer with the correct mix?

- A 8
- B 16
- C 22
- D 36

38. This is a sketch of an area for a patio.

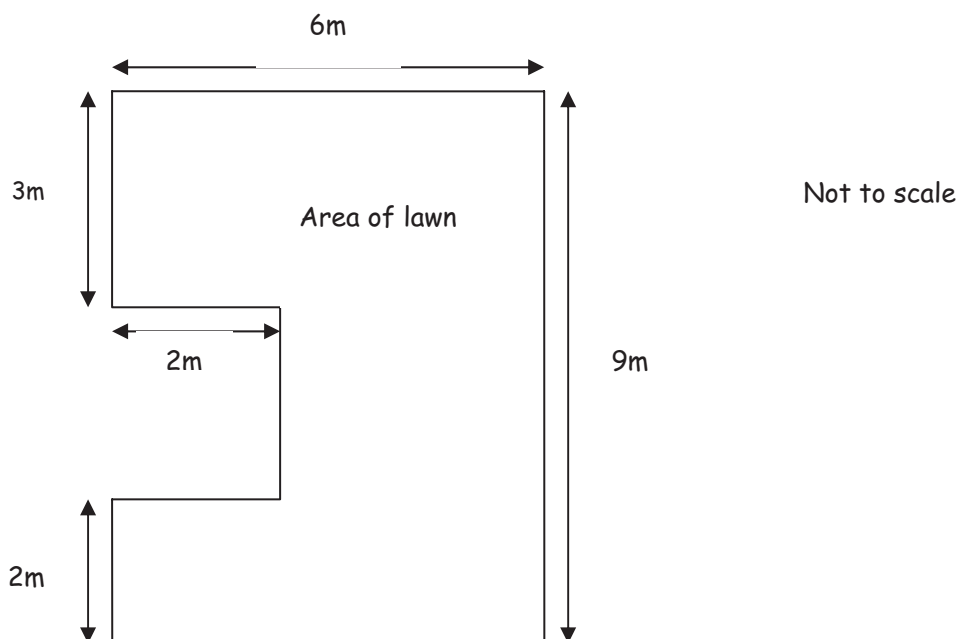


The slabs for the patio cost £5 each and measure 0.5m by 0.5m.

How much will it cost to buy the slabs?

- A £72
- B £350
- C £360
- D £720

39. The sketch shows an area of ground for a lawn.



What is the area of the lawn?

- A  $34\text{m}^2$
- B  $46\text{m}^2$
- C  $48\text{m}^2$
- D  $54\text{m}^2$

40. A gardener charges £7.95 per hour, plus a fixed charge of £29.95. She estimates that it will take her 3 hours, 45 minutes to complete the job.

Which of these is the closest rough check of the cost of her work?

- A  $(8 \times 3) + 30$
- B  $(8 + 30) \times 3$
- C  $(8 \times 4) + 30$
- D  $(8 + 30) \times 4$

**End of test**